



**Sensors & Accessories**



**HTemp-1Wire 3m**



**Temp-1Wire 1m**



**Temp-1Wire-Flat 3m**



**T-Box**



**HTemp-1Wire Outdoor 3m**



**Temp-Rack19**



**Temp-1Wire-Outdoor 3m**

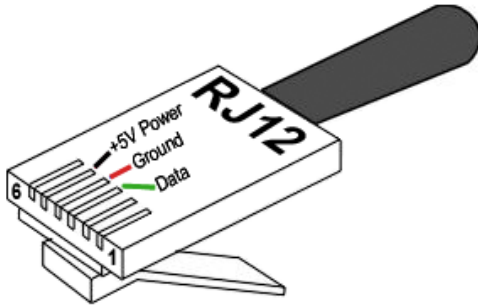


**T-Box**

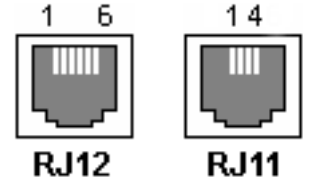
**Temperature & Humidity sensors & Accessories**

<b>HTemp-1Wire 3m</b>	<i>Temperature &amp; Humidity sensor (-30 to +80°C, 0 to 100% RH). 3 meter long cable with 1-Wire connector RJ11, encased in black covering.</i>
<b>HTemp-1Wire Box2</b>	<i>Temperature &amp; Humidity sensor (-10 to +80°C, 0 to 100% RH). Boxed sensor designed for internal use, 2x RJ11 daisy-chainable 1-Wire, 3m cable included.</i>
<b>HTemp-1Wire Rack19</b>	<i>Temperature &amp; Humidity sensor (-10 to +80°C, 0 to 100% RH). 1U rack mount housing, 2x RJ11 daisy-chainable 1-Wire, 3m cable included. Sensor designed for 19" rack cabinets.</i>
<b>Humid-1Wire 1m / 3m / 10m</b>	<i>Humidity sensor (0 to 100% RH) on a 1m / 3m / 10m long cable with 1-Wire connector RJ11, encased in black covering.</i>
<b>HTemp-1Wire Outdoor 3m</b>	<i>Temperature &amp; Humidity outdoor sensor (-30 to +85°C, 0 to 100% RH). 3 meter long cable with 1-Wire connector RJ11. Sensor encased in outdoor metal tube.</i>
<b>T-Box</b>	Hub for connecting 1 to 5 sensors to 1-Wire bus (5x RJ11), 10 cm connecting cable.
<b>T-Box2</b>	Hub for connecting 1 or 2 sensors to 1-Wire sensors (RJ11), 3 m connecting cable.
<b>Temp-1Wire 3m IP67</b>	<i>Temperature sensor (-10°C to +80°C), on a 3 meter long cable with 1-Wire connector RJ11. Watertight (IP67) sensor probe, stainless steel 17241.</i>
<b>Temp-1Wire 10m IP67</b>	<i>Temperature sensor (-10°C to +80°C), on a 10 meter long cable with 1-Wire connector RJ11. Watertight (IP67) sensor probe, stainless steel 17241.</i>
<b>Temp-1Wire 1m / 3m / 10m</b>	<i>Temperature sensor (-10°C to +80°C), on a 1 / 3 / 10 meter long cable with 1-Wire connector RJ11, encased in white covering.</i>
<b>Temp-1Wire-Outdoor 3m</b>	<i>Temperature outdoor sensor (-50°C to +125°C) - Multi-purpose watertight (IP67) sensor probe, stainless steel 17241 with PVC cable 3m, 1-Wire connector RJ11.</i>
<b>Temp-1Wire-Flat 3m</b>	<i>Temperature sensor for freezers (-30 to +60°C), watertight (IP67) stainless steel 17241 probe, flat cable 3m, 1-Wire connector RJ11.</i>

# Connectors



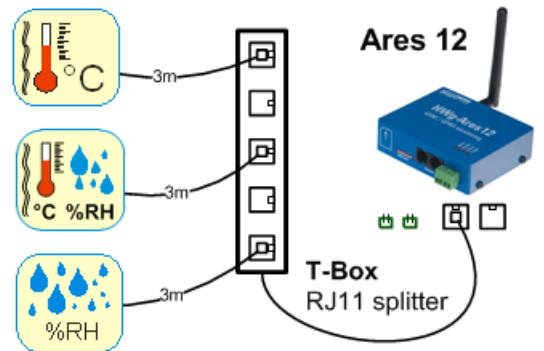
RJ12	RJ11			
3	2	Data	<->	Data 1-Wire
4	3	GND	---	System Ground
5	4	+5V	---	Power supply



## Sensors wiring examples

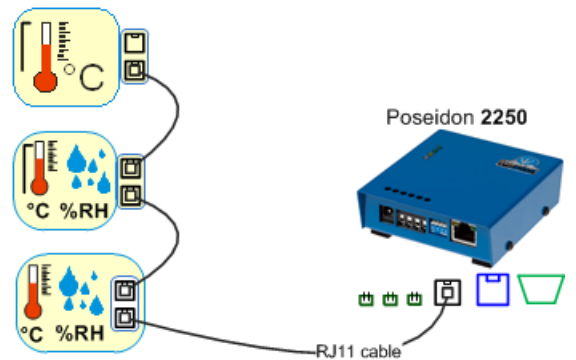
### Star topology – 60m in total:

You can use the T-Box or T-Box2 splitters to connect more sensors to one device active port.



### Daisy-chained – 60m in total:

There are two RJ11 female connectors on some sensors.



### 4x active port, 4x60m:

